



STAIRWAY

Ultimate Stair Climber

OWNER'S MANUAL



CONTACT US:

Jacobs Ladder LLC

6292 Walmore Rd

Niagara Falls, NY 14304

1.866.697.4100 (toll free)

1.716.692.1780 (fax)

1.716.930.1285 (service)

info@jacobsladderexercise.com

service@jacobsladderexercise.com

jacobsladderexercise.com

WELCOME

We are sure you will be pleased with your new Stairway. Please take a few minutes to familiarize yourself with your new equipment by reading the information contained in the Owners Manual. We are proud of the quality of each of our products.

The Stairway is a stair climbing cardio machine designed specifically for the commercial environment. The unique design offers a rotating staircase where the speed of the stairs is controlled by the tension of the waist belt. The higher you go, the faster the stairs come. So you are always in control of your speed. The unit is self-powered so there is no need for a wall plug.

INCLUDED IN YOUR PACKAGE:

Stairway
Owners Manual
Stairway Waist Belt (2)
AC Power Adapter (for recharging only)

PRODUCT SPECIFICATIONS

Frame: Welded Tubular Steel

Length: 54"

Width: 30.5"

Height: 75.5"

Weight: 300 lbs

Stairs: Steel with Polyvinyl Tread

Case: ABS Plastic

Handle: Powder-coated Steel Tube

Power: Self-Powered

Ceiling Height Requirement: 8.5 Feet

Digital Readouts: Elapsed Time, Steps Climbed, Rate (Steps/Min), Calorie Burn, Heart Rate (wireless)

TABLE OF CONTENTS

Safety	4
Proper Use Instructions	4
Assembly Instructions	5
Operation	6
Display	6
Maintenance	7
Care and Cleaning	7
Troubleshooting	7
Preventative Maintenance	7
Exploded Diagram	8
How to Obtain Service	11
Product Warranty	12
Disclaimer	13
Maintenance Log	14

IMPORTANT SAFETY INFORMATION

Warning: Before beginning any fitness program you should have a complete physical examination by your physician. Consult your physician for the heart rate appropriate for your fitness condition. Exercising on Stairway may cause rapid heart rate increase. If you feel faint, develop chest pain, experience severe musculoskeletal discomfort or have difficulty breathing, terminate the exercise session immediately and consult a physician. Failure to do so may result in serious bodily injury or death.

In order to slow machine, slow your steps. In order to stop machine, stop your steps and allow the machine to brake.

Do not use the machine without wearing the Waist Belt. The Waist Belt controls the brake as well as the rung speed.

Start out slowly and increase rung speed carefully while wearing Waist Belt.

Never let anyone touch the waist belt cable while machine is being used. Tugging the cable will cause step speed increase.

Advanced Exercise: Always read and understand Operating Instructions before use.

Never allow small children to operate machine. Keep small children away from machine while in operation.

Never sprint on Stairway. Increase your speed at a steady pace until you reach an appropriate speed.

Never place towels or other objects under the steps or at the bottom of the machine.

Proper Use Instruction

- 1.) Adjust the height adjustment strap on the Waist Belt to your height.
- 2.) Fasten the Waist Belt – Position the height adjustment strap to the center of your back.
- 3.) Press the “POWER” button or just Start Climbing.
- 4.) Enter your weight by using the UP/DOWN arrow buttons then press enter.
- 5.) Climb higher to go faster, stay low to go slow.
- 6.) In order to STOP, simply stop climbing and coast to the bottom. The brake will engage automatically.
- 7.) To reset the display, hold the “ENTER” button for 2 seconds.

The AC Adapter is only used in the event that the battery becomes discharged. You will know that the battery needs to be charged if the display resets in the middle of a workout.

ASSEMBLY INSTRUCTIONS

Take the following steps to assembly the Stairway.

- 1.) Remove the packing materials from the base and upright/console assembly.
- 2.) Cut and remove the banding strap that holds unit to the pallet.
- 3.) Using a ½" wrench or socket, remove the 4 bolts around base of unit.
- 4.) Remove the 2x4 piece located underneath the steps at base of the front of the machine.
You may want to use a crowbar and hammer.

CAUTION: To avoid injury and ensure your safety, be sure to get the appropriate number of people to help you move the climber to its final location. A fully assembled Stairway is very heavy and you might injure yourself if you move the ladder improperly.

- 5.) Slide the unit off the side of the pallet and on to the floor.
- 6.) Roll the unit on its rear transport wheels to its new location by slowly tipping the unit back to engage the wheel. Be sure to have assistance as unit is heavy. Additional help supporting the front end of the ladder will improve the ease of movement.

DISPLAY



- 1.) In order to light the display, you can either press the POWER button or just begin climbing with the waist belt on.
- 2.) Calories Burned are displayed in the left field.
- 3.) The center display field shows the total number of steps climbed, the rate in Steps/Minute and the elapsed time of the workout.
- 4.) The user Heart Rate is displayed in the right field. This unit is equipped with a wireless receiver located in the display console of the machine. This receiver can detect signal from any Polar brand Heart Rate Device. When the display is on and a users signal is detected, the heart rate will show in this field.
- 5.) The UP and DOWN arrows are so that you can input your weight at the beginning of a workout. These buttons do not affect the speed of the unit.

MAINTENANCE

Care and Cleaning

It is not recommended that you oil or grease the chains on Stairway. Greasing the chains can prevent the machine from running smoothly.

The Stairway Step Treads and handrails can be cleaned using any mild household cleaner that you use on other cardio machines.

IMPORTANT: The stainless steel frame rails located underneath where the step attaches to the chain must be kept clean. Do not get any grease, oil, polish, etc.. on the stainless steel frame rail.

Wipe down the display board with a damp cloth.

Do not use cleaning sprays, large amounts of soap or water, abrasive or sharp objects on the display board.

Please refer to the Preventative Maintenance Section.

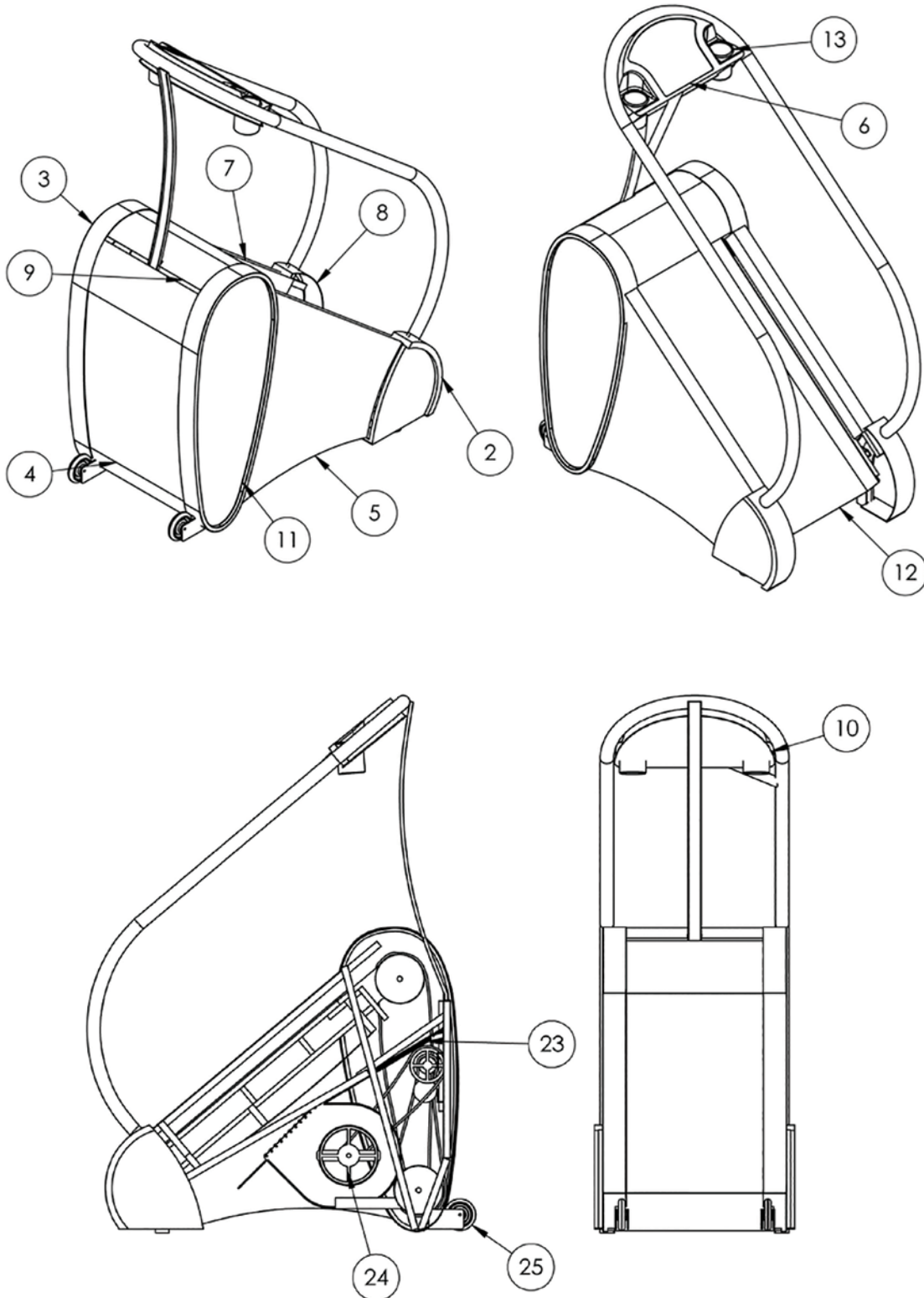
Troubleshooting

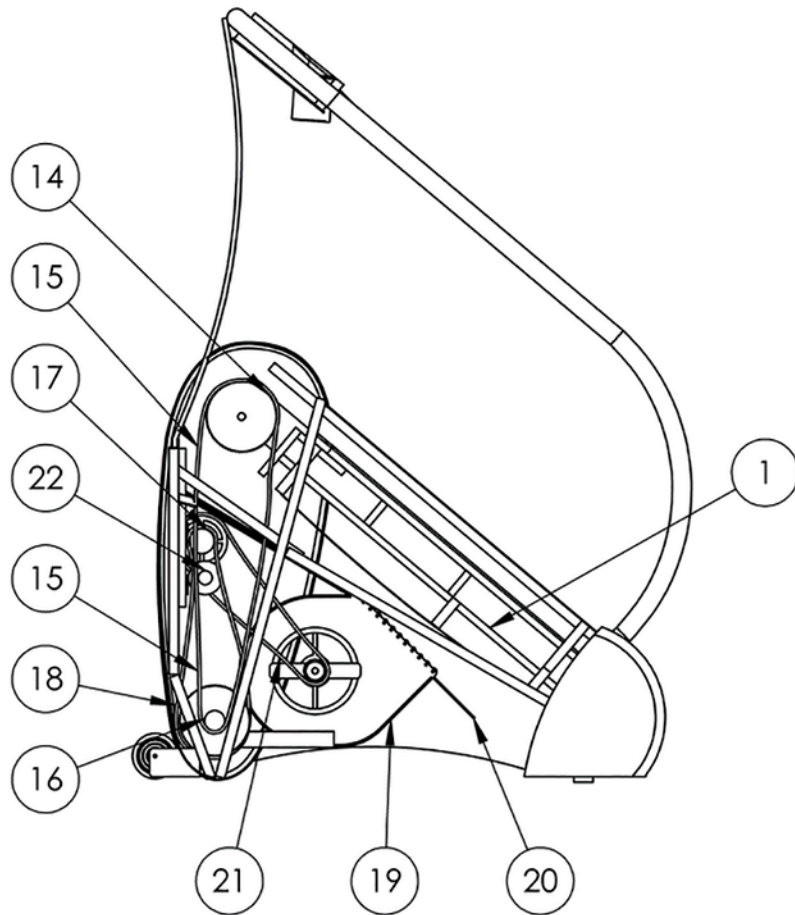
Problem	Possible Cause	What To Do
Machine seems to be slipping	Dirty Stainless	Clean Stainless Steel Frame Rail (See Maintenance Procedure: https://www.dropbox.com/s/bl2teyqn34hoed4/Cleaning%20the%20Stainless%20Rails%20on%20Stairway.pdf?dl=0)
Display resets in mid-workout	Low Battery Charge	Use AC Adapter provided to plug machine in overnight.

Preventative Maintenance

Operation	Frequency
Clean Stainless Steel Frame Rails	Annually
Tighten Chains	Annually as per Maintenance Procedure: https://www.dropbox.com/s/j15r7njip11iw6m/Tightening%20Chains%20on%20a%20Stairway.pdf?dl=0
Re-Charge Battery	As needed

EXPLODED DIAGRAM





ITEM NO.	PART DESCRIPTION	QTY
1	STAIRWAY FRAME	1
2	LEFT FOOT PLASTIC COVER	1
3	RIGHT SIDE OVAL PLASTIC COVER	1
4	BACK COVER PLASTIC	1
5	LEFT SIDE PLASTIC COVER	1
6	CONTROL PANEL BOX	1
7	RIGHT SIDE PLASTIC COVER	1
8	RIGHT FOOT PLASTIC COVER	1
9	TOP PLASTIC KICK PLATE	1
10	CONTROL BOX BACK COVER	1
11	LEFT SIDE OVAL PLASTIC COVER	1
12	PLASTIC FOOT PAN	1
13	CUP HOLDER INSERT	2
14	TOP AXLE	1
15	UPPER DRIVE CHAIN	1
16	LOWER JACK SHAFT	1
17	UPPER JACK SHAFT	1
18	LOWER DRIVE CHAIN	1
19	BLOWER ASSEMBLY	1
20	BLOWER DOOR	1
21	V BELT	1
22	GENERATOR	1
23	BLOWER SPRING	1
24	BLOWER PULLY	1
25	TRANSPORT WHEEL	2

HOW TO OBTAIN SERVICE

Do not attempt to service the unit yourself except for the maintenance and diagnostic tasks described in the PREVENTATIVE MAINTENANCE section of this manual. The unit does not contain any user-serviceable parts. For information about the product, contact the following:

Jacobs Ladder LLC

6292 Walmore Rd
Niagara Falls, NY 14304
USA

Tel: 1 866.697.4100

Fax: 1 716.692.1780

Email: service@JacobsLadderExercise.com

To help customer service expedite your call, have the serial number of your unit readily available as well as Customer information and an accurate description of the state of the unit. The serial number is located on the back of the unit.

PRODUCT WARRANTY

4 YEARS ON ALL PARTS; 1 YEAR ON LABOR FROM THE DATE OF PURCHASER INVOICE.

JACOBS LADDER LLC EXPRESSLY WARRANTS ALL NEW PRODUCTS TO BE FREE FROM DEFECTS IN MATERIALS AND MANUFACTURE FOR THE WARRANTY PERIODS SET FORTH ABOVE. THE WARRANTY PERIODS COMMENCE ON THE INVOICE DATE ON THE ORIGINAL PURCHASE. THIS WARRANTY APPLIES ONLY AGAINST DEFECTS DISCOVERED WITHIN THE WARRANTY PERIOD AND EXTENDS ONLY TO THE ORIGINAL PURCHASER OF THE PRODUCT. ONLY PARTS, REPAIRS, MODIFICATION AND/OR MAINTENANCE SUPPLIED BY JACOBS LADDER LLC REPRESENTATIVE, UNDER THE TERMS OF THIS WARRANTY, WILL BE WARRANTED FOR THE REMAINDER OF THE ORIGINAL WARRANTY PERIOD. TO PROCESS A CLAIM UNDER THIS WARRANTY, THE PURCHASER MUST NOTIFY JACOBS LADDER LLC IN WRITING OR BY FAX WITHIN 30 DAYS AFTER THE DISCOVERY OF THE ALLEGED DEFECT AND MAKE THE PRODUCT AVAILABLE FOR INSPECTION BY A JACOBS LADDER LLC REPRESENTATIVE. FAILURE TO TIMELY AND PROPERLY NOTIFY JACOBS LADDER LLC IN WRITING OR BY FAX WILL RESULT IN NULLIFICATION OF THIS WARRANTY.

ANY PARTS, REPAIRS, MODIFICATION AND/OR MAINTENANCE SUPPLIED BY A NON-JACOBS LADDER REPRESENTATIVE VOIDS THE ENTIRE WARRANTY FOR THIS EXERCISE MACHINE.

NO OTHER EXPRESS WARRANTY IS GIVEN WITH THE PURCHASE ORDER AND JACOBS LADDER LLC DISCLAIMS ANY AUTHORITY FOR ANY EMPLOYEE TO PROVIDE OR MAKE ANY OTHER WARRANTY OF ANY KIND WHETHER IN WRITING OR ORALLY.

This warranty is valid only in accordance with the conditions set forth below:

1. The warranty applies to the Jacobs Ladder LLC product only while
 - a. Title and possession remain in the original purchaser and proof of purchase is demonstrated,
 - b. It has not been subjected to casualty, misuse, abuse, service or modification performed and not authorized by Jacobs Ladder LLC representative,
 - c. Claims are made timely and properly within the warranty period by written notice or fax (30 days notice).
2. This warranty does not cover damage or equipment failure caused by any type of electrical surge and/or failure to adhere Jacobs Ladder LLC Operating Instructions and Care and Cleaning Instructions.
3. Except in Canada, Jacobs Ladder LLC does not pay labor outside of the United States.
4. Warranties outside the United States and Canada may vary. Please contact your local Dealer for details.

This limited warranty shall not apply to:

1. Software version upgrades.
2. Cosmetic items, including, but not limited to the following: grips, seats, and labels.
3. Repairs performed on Jacobs Ladder LLC equipment missing a serial number or with a serial tag that has been altered or defaced.
4. Service calls to correct installation of the equipment or instruct the owners on how to use the equipment
5. Pickup, delivery, or freight charges involved with repairs.
6. Any labor costs incurred beyond the applicable labor warranty period.

DISCLAIMER

The express warranties provided herein are the exclusive warranties given by Jacobs Ladder LLC and supersede any prior, contrary or additional representation/warranties, written or oral. ANY IMPLIED WARRANTIES, INCLUDING THE WARRANTY OF MERCHANTABILITY AND/OR FITNESS FOR A PARTICULAR PURPOSE THAT APPLY TO ANY PARTS DESCRIBED ABOVE ARE LIMITED IN DURATION TO THE PERIODS OF EXPRESS WARRANTIES GIVEN ABOVE FOR THOSE SAME PARTS. JACOBS LADDER HEREBY DISCLAIMS AND EXCLUDES THOSE WARRANTIES THEREAFTER. SOME STATES DO NOT ALLOW LIMITATION ON HOW LONG AN IMPLIED WARRANTY LASTS, SO THE ABOVE LIMITATION MAY NOT APPLY TO YOU. JACOBS LADDER LLC ALSO HEREBY DISCLAIMS AND EXCLUDES ALL OTHER OBLIGATIONS OR LIABILITIES, EXPRESS OR IMPLIED ARISING BY LAW OR OTHERWISE WITH REGARD TO ANY NONCONFORMANCE OR DEFECT IN ANY PRODUCT, INCLUDING BUT NOT LIMITED TO: (A) ANY OBLIGATION, LIABILITY, RIGHT, CLAIM, OR REMEDY IN TORT, WHETHER OR NOT ARISING FROM THE NEGLIGENCE OF JACOBS LADDER LLC OR ITS SUPPLIERS (WHETHER ACTIVE, PASSIVE OR IMPUTED) AND (B) ANY OBLIGATION, LIABILITY, RIGHT, CLAIM OR REMEDY FOR LOSS OF OR DAMAGE TO ANY EQUIPMENT. THIS DISCLAIMER AND RELEASE SHALL APPLY EVEN IF THE EXPRESS WARRANTY SET FORTH ABOVE FAILS IN ITS ESSENTIAL PURPOSE.

JACOBS LADDER LLC DISCLAIMS AND DOES NOT PROVIDE ANY EXPRESS WARRANTIES OR IMPLIED WARRANTIES OF MERCHANTABILITY AND/OR WARRANTY OF FITNESS FOR A PARTICULAR PURPOSE of the Waist Belt, the Power Supply Cord or the Polar Heart Rate Monitor. Any warranty from Polar can be found and viewed on www.polarusa.com.

EXCLUSIVE REMEDIES:

For any product described above that fails to conform to its warranty, Jacobs Ladder LLC Representative will exclusively provide repairs provided the equipment has not been subject to casualty, misuse, abuse, service or modification performed and not authorized by Jacobs Ladder LLC representative. Service must be obtained by calling Jacobs Ladder LLC at 1 (866) 697 4100. THESE SHALL BE THE SOLE AND EXCLUSIVE REMEDIES OF THE BUYER FOR ANY BREACH OF WARRANTY.

JACOBS LADDER LLC AND/OR ITS SUPPLIERS SHALL HAVE NO OBLIGATION OR LIABILITY, WHETHER ARISING IN CONTRACT (INCLUDING WARRANTY), TORT (INCLUDING ACTIVE, PASSIVE, OR IMPUTED NEGLIGENCE AND STRICT LIABILITY), OR OTHERWISE, FOR DAMAGE TO THE EQUIPMENT, PROPERTY DAMAGE, LOSS OF USE, REVENUE OR PROFIT, COST OF CAPITAL, COST OF SUBSTITUTE EQUIPMENT, ADDITIONAL COSTS INCURRED BY BUYER (BY WAY OF CORRECTION OR OTHERWISE) OR ANY OTHER INCIDENTAL, SPECIAL, INDIRECT, OR CONSEQUENTIAL DAMAGES, WHETHER RESULTING FROM NONDELIVERY OR FROM THE USE, MISUSE OR INABILITY TO USE THE PRODUCT. THIS EXCLUSION APPLIES EVEN IF THE ABOVE WARRANTY FAILS OF ITS ESSENTIAL PURPOSE AND REGARDLESS OF WHETHER SUCH DAMAGES ARE SOUGHT FOR BREACH OF WARRANTY, BREACH OF CONTRACT, NEGLIGENCE, OR STRICT LIABILITY IN TORT OR UNDER ANY OTHER LEGAL THEORY.

